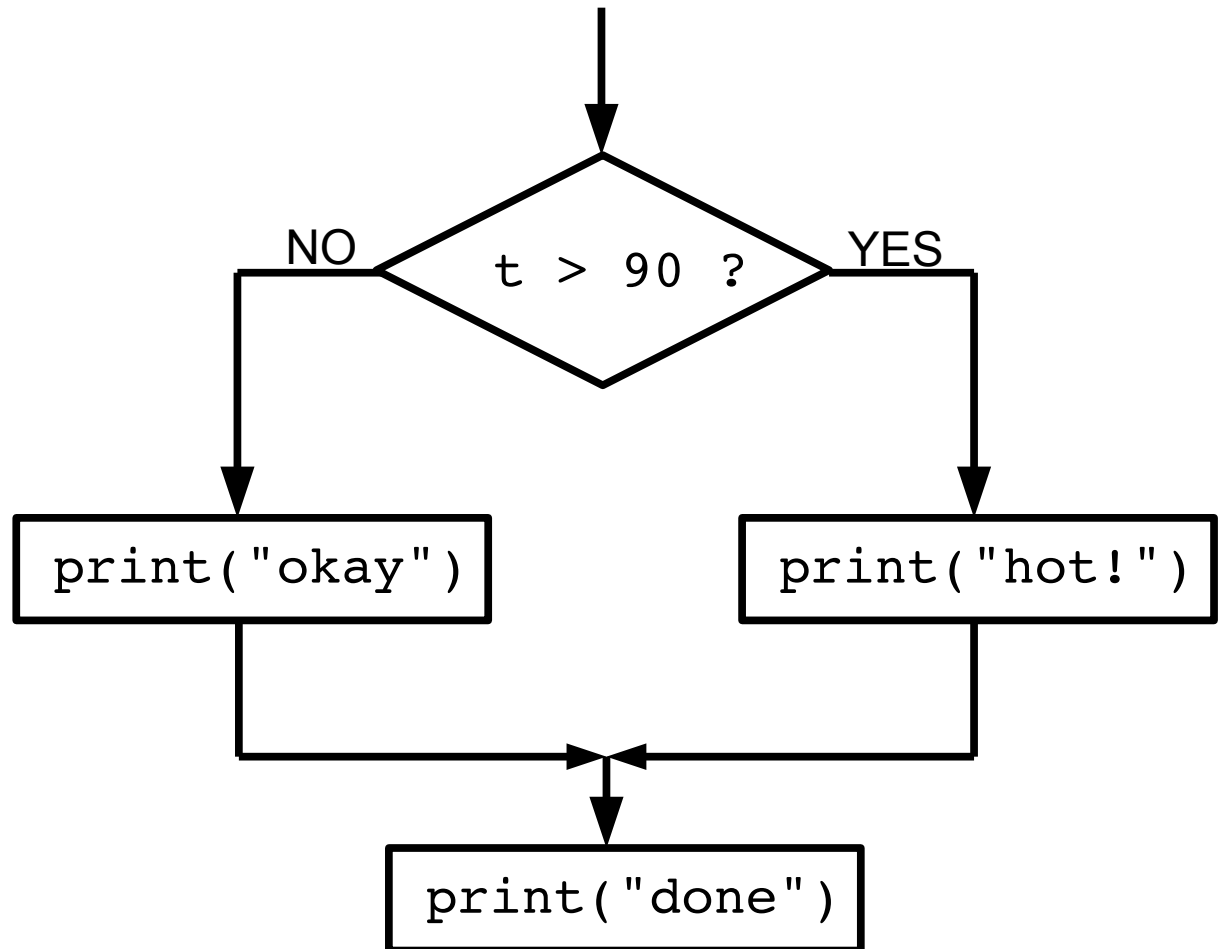


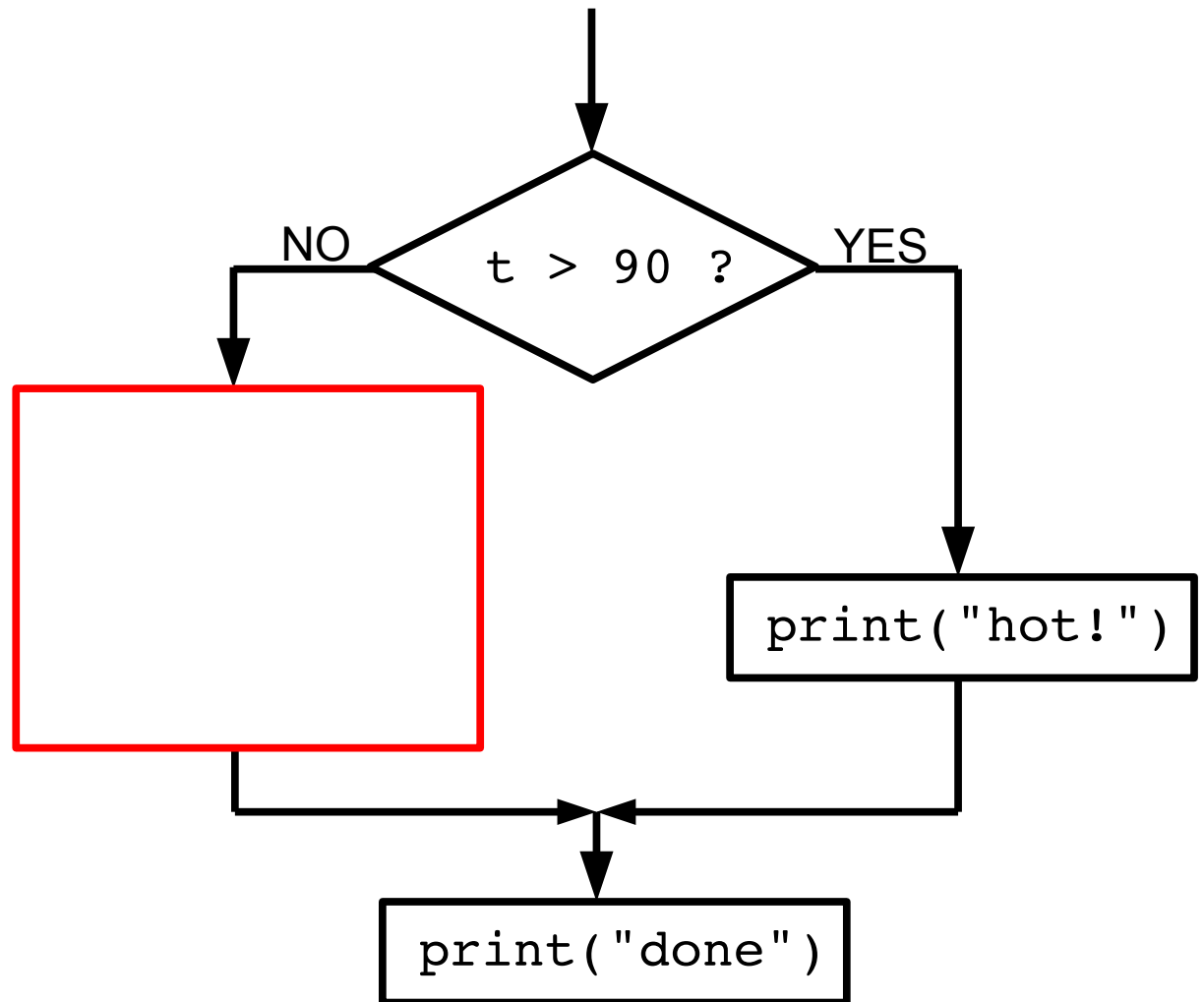
# if / else

```
def temp(t):  
    if t > 90:  
        print("hot!")  
    else:  
        print("okay")  
    print("done")
```



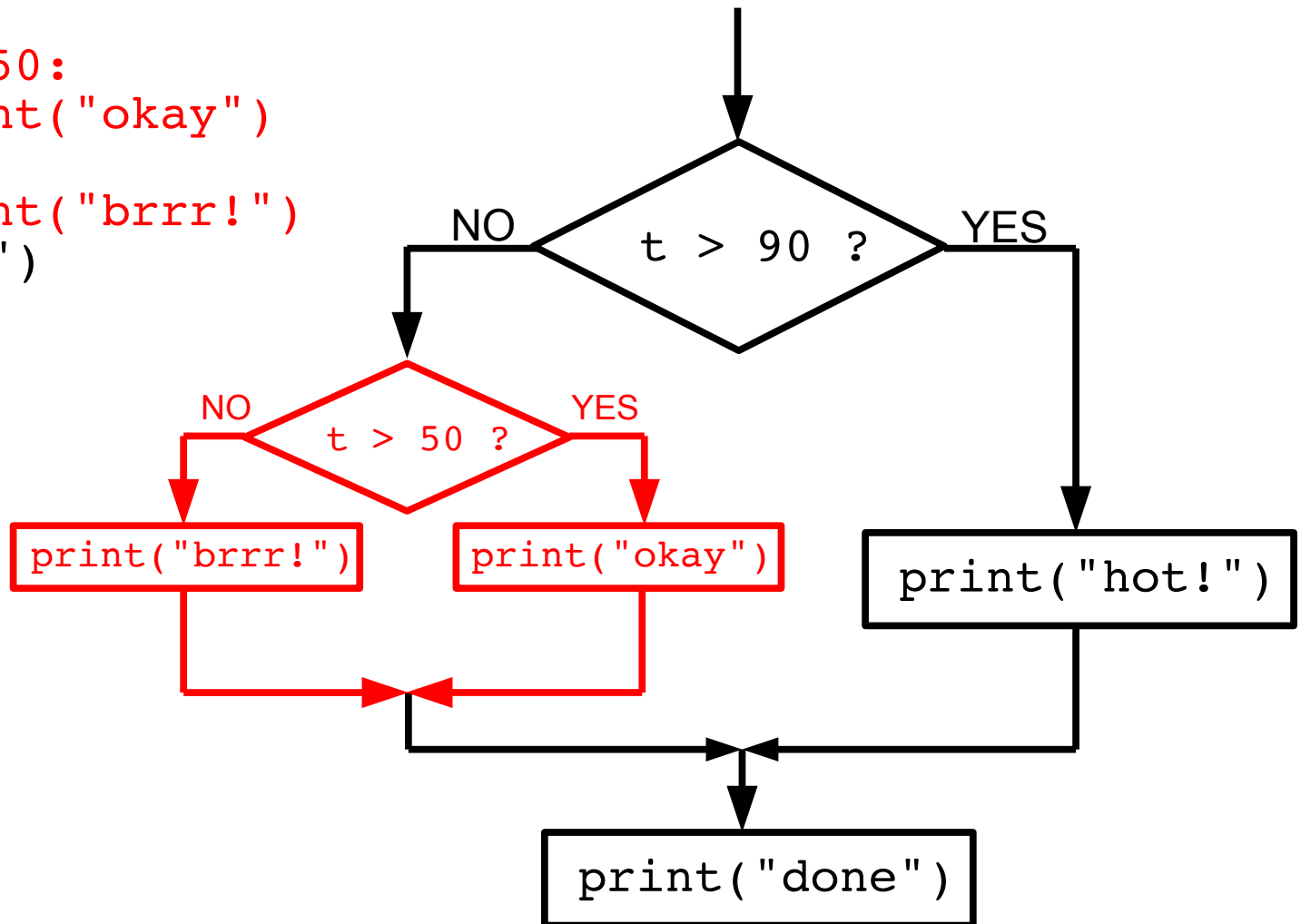
# if / else

```
def temp(t):  
    if t > 90:  
        print("hot!")  
    else:  
          
    print("done")
```



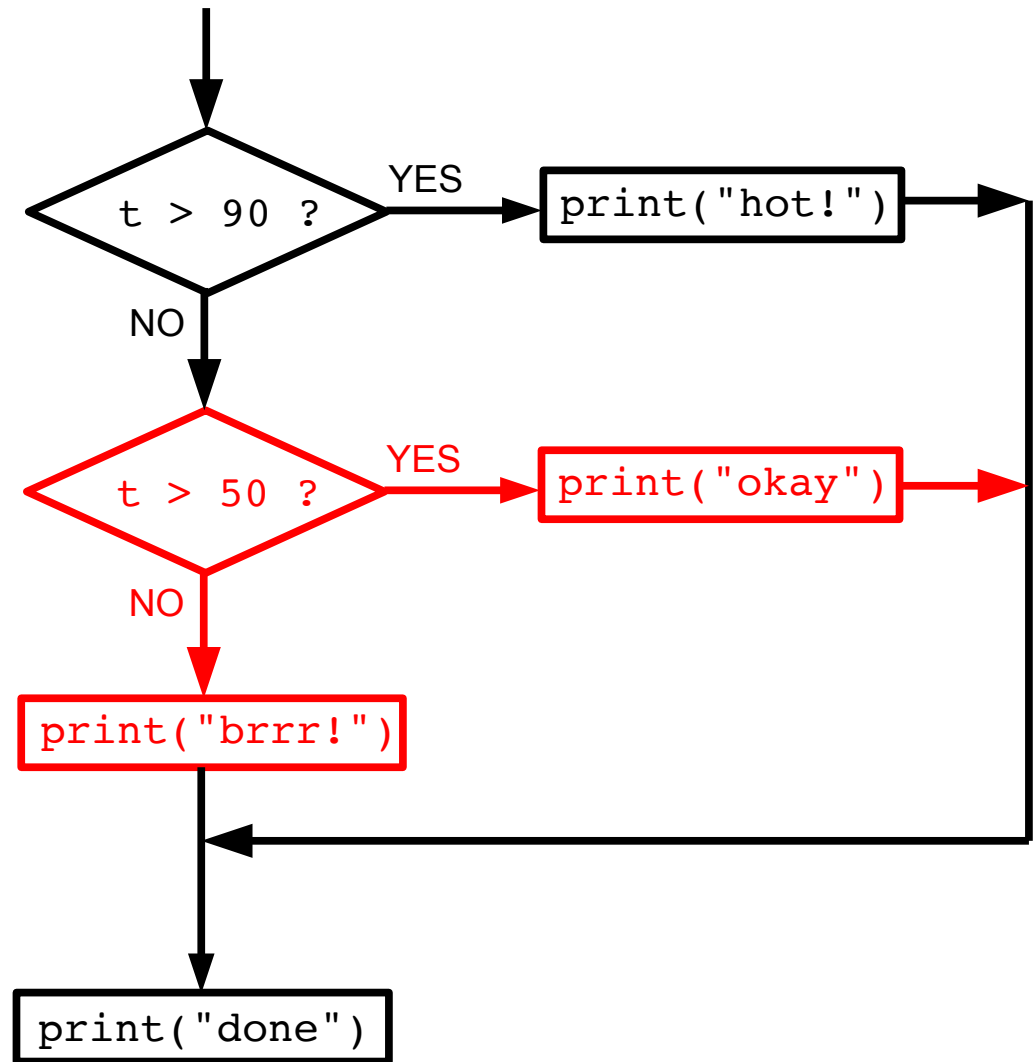
# if / else

```
def temp(t):  
    if t > 90:  
        print("hot!")  
    else:  
        if t > 50:  
            print("okay")  
        else:  
            print("brrr!")  
    print("done")
```



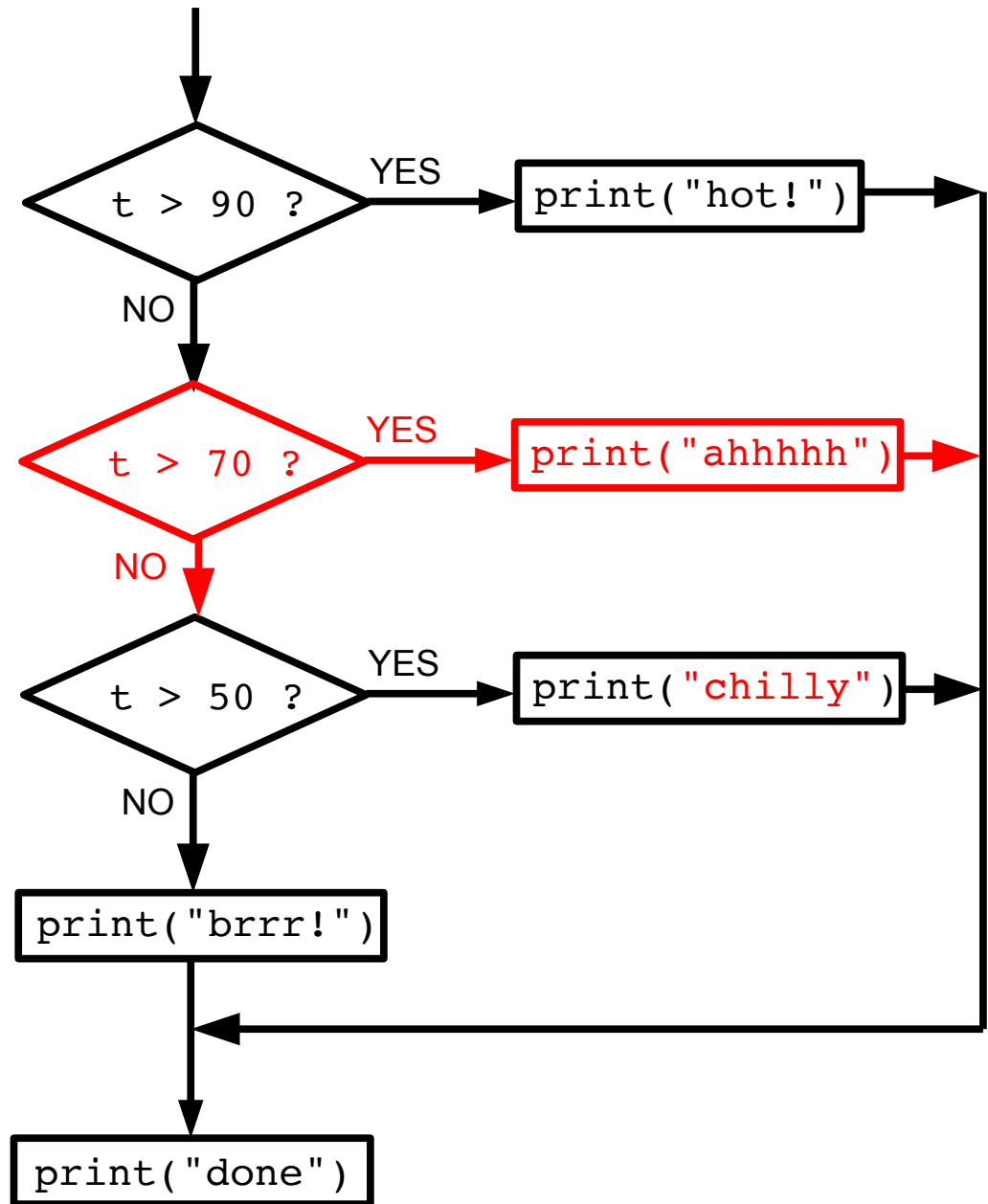
# if / elif / else

```
def temp(t):  
    if t > 90:  
        print("hot!")  
    elif t > 50:  
        print("okay")  
    else:  
        print("brrr!")  
    print("done")
```



# if / elif / else

```
def temp(t):  
    if t > 90:  
        print("hot!")  
    elif t > 70:  
        print("ahhhhh")  
    elif t > 50:  
        print("chilly")  
    else:  
        print("brrr!")  
    print("done")
```



# if / elif / else

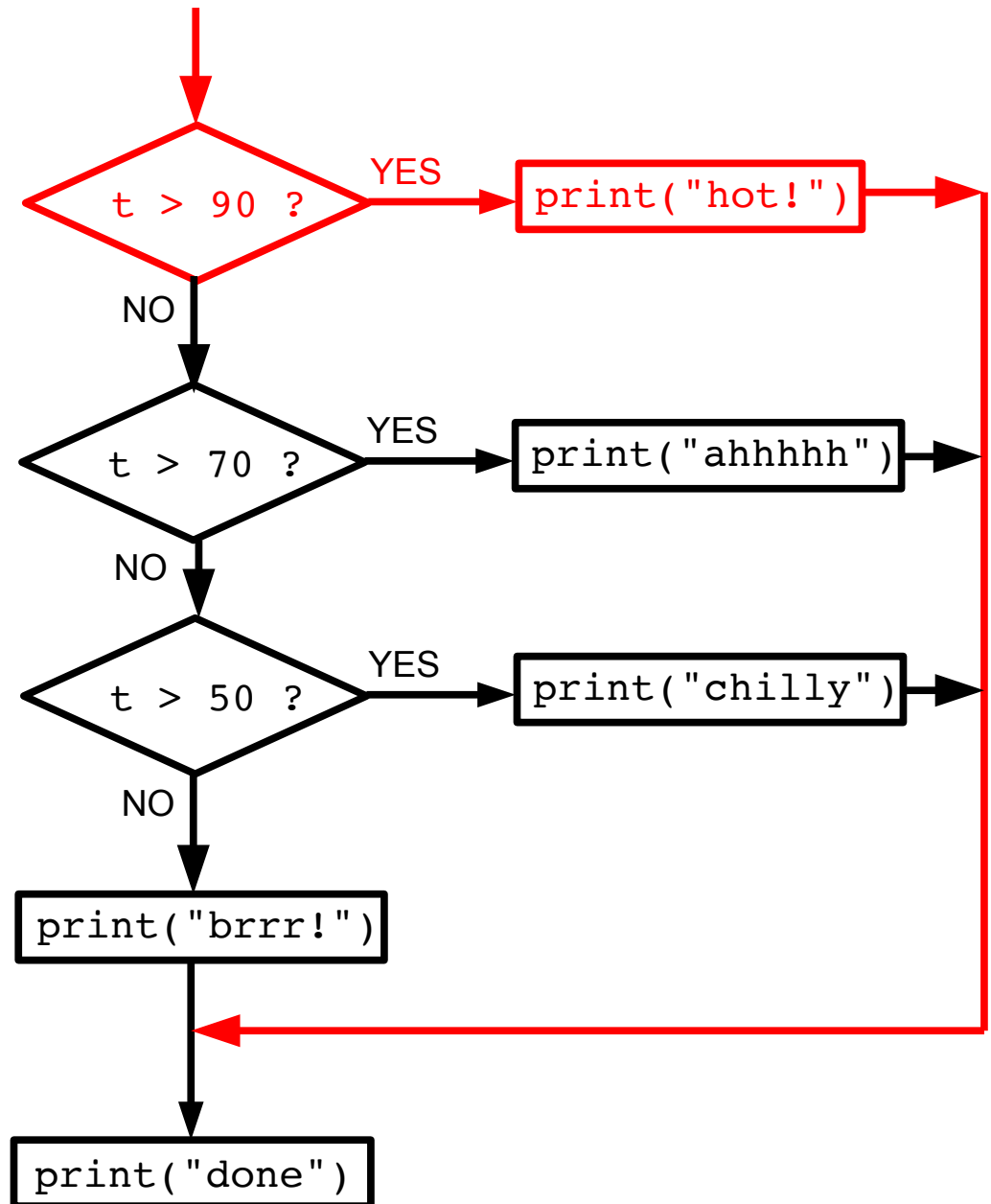
```
def temp(t):  
    if t > 90:  
        print("hot!")  
    elif t > 70:  
        print("ahhhhh")  
    elif t > 50:  
        print("chilly")  
    else:  
        print("brrr!")  
    print("done")
```

temp(95) → hot!

temp(75) → ?

temp(55) → ?

temp(20) → ?



# if / elif / else

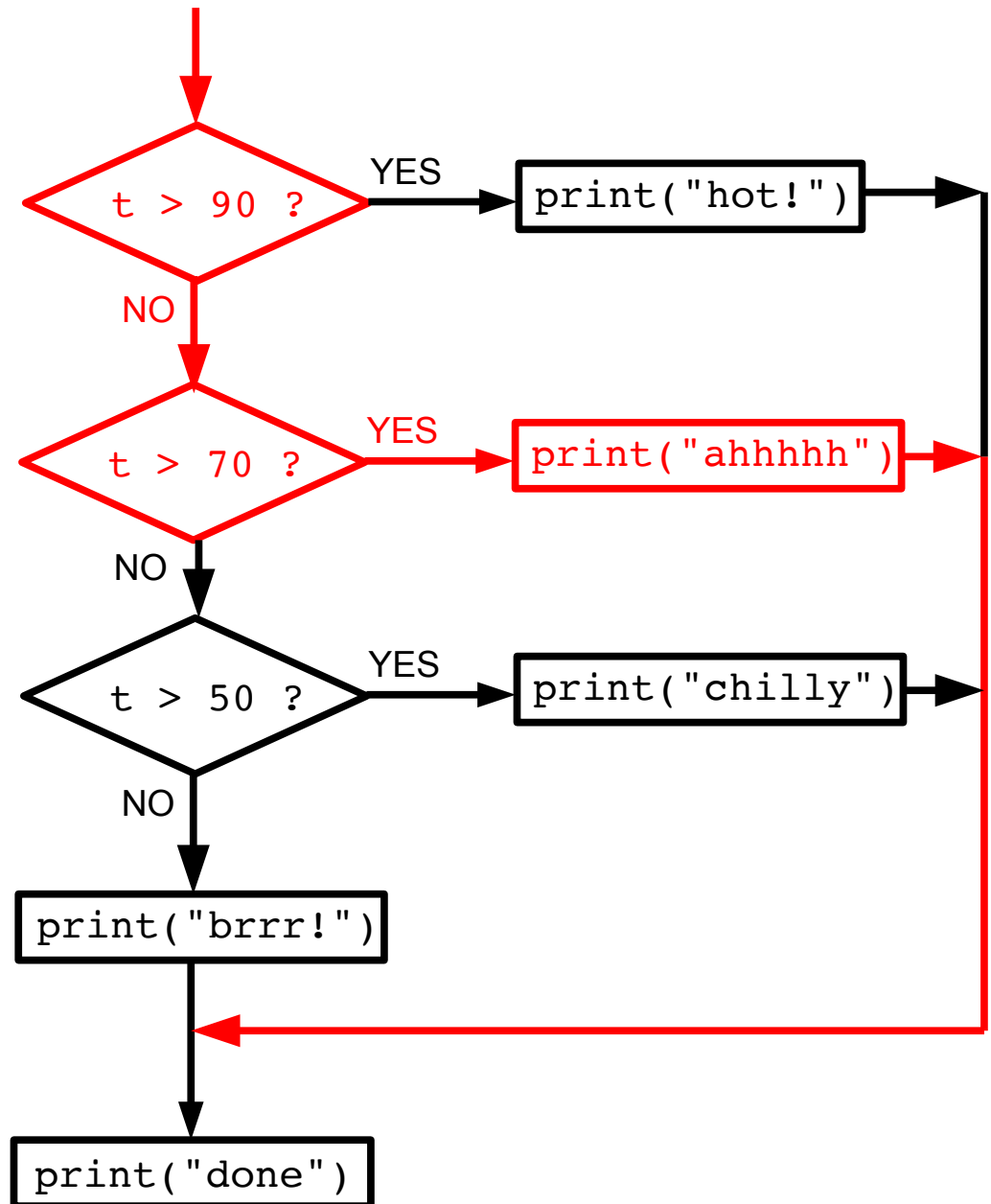
```
def temp(t):  
    if t > 90:  
        print("hot!")  
    elif t > 70:  
        print("ahhhhh")  
    elif t > 50:  
        print("chilly")  
    else:  
        print("brrr!")  
    print("done")
```

temp(95) → hot!

temp(75) → **ahhhhh**

temp(55) → ?

temp(20) → ?



# if / elif / else

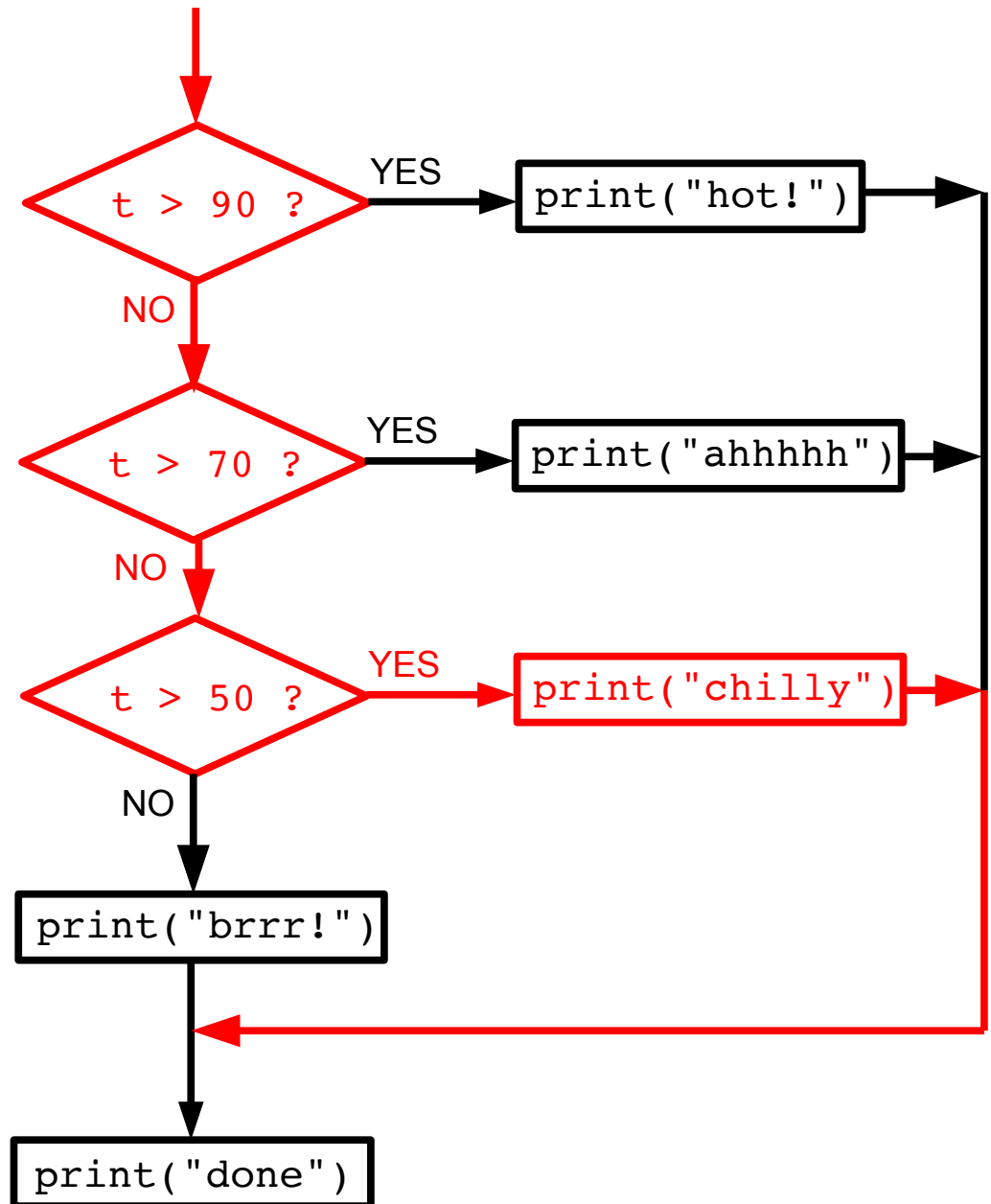
```
def temp(t):  
    if t > 90:  
        print("hot!")  
    elif t > 70:  
        print("ahhhhh")  
    elif t > 50:  
        print("chilly")  
    else:  
        print("brrr!")  
    print("done")
```

temp(95) → hot!

temp(75) → ahhhhh

temp(55) → **chilly**

temp(20) → ?





# if / elif / else

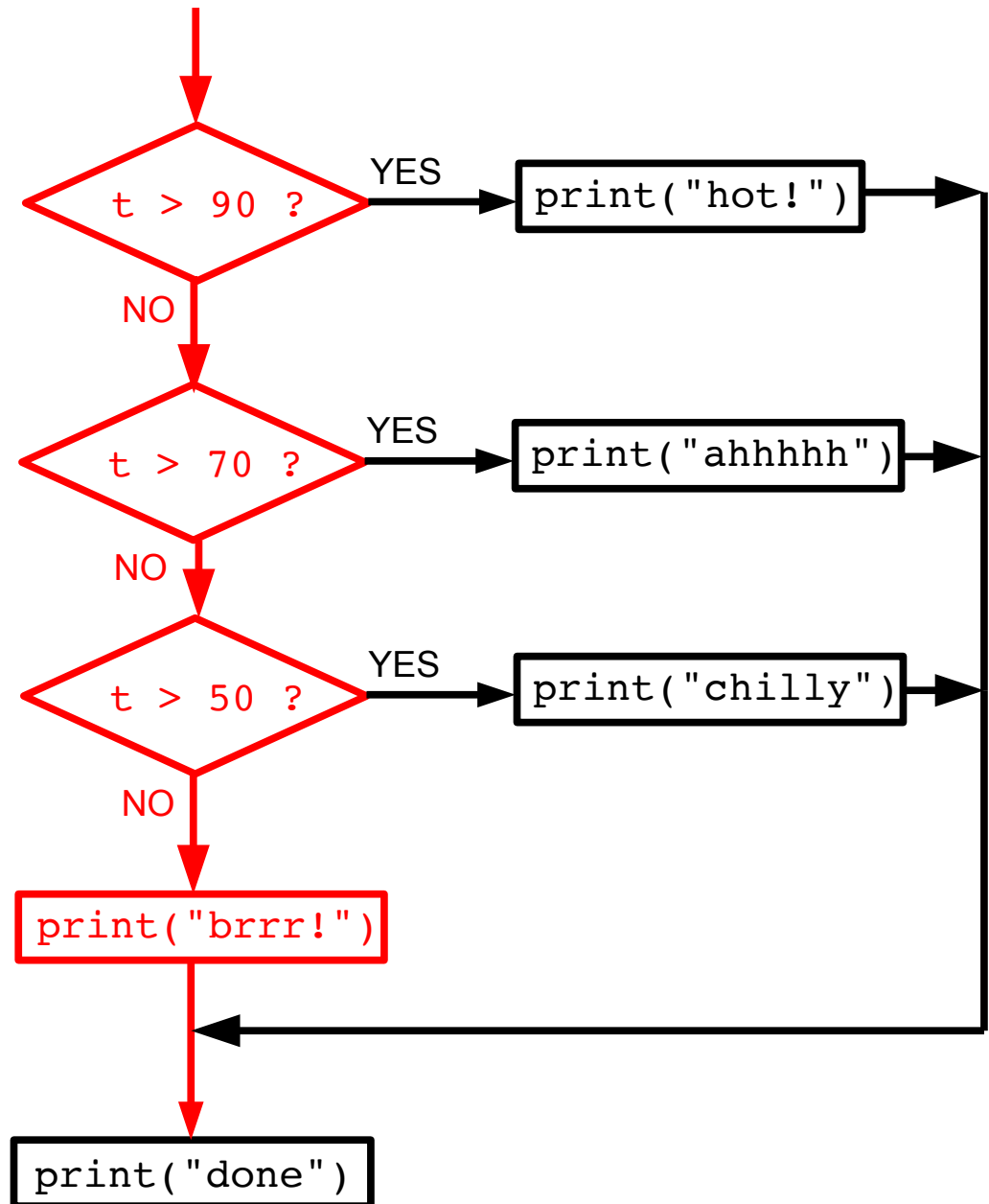
```
def temp(t):  
    if t > 90:  
        print("hot!")  
    elif t > 70:  
        print("ahhhhh")  
    elif t > 50:  
        print("chilly")  
    else:  
        print("brrr!")  
    print("done")
```

temp(95) → hot!

temp(75) → ahhhhh

temp(55) → chilly

temp(20) → **brrr!**



# What about this version?

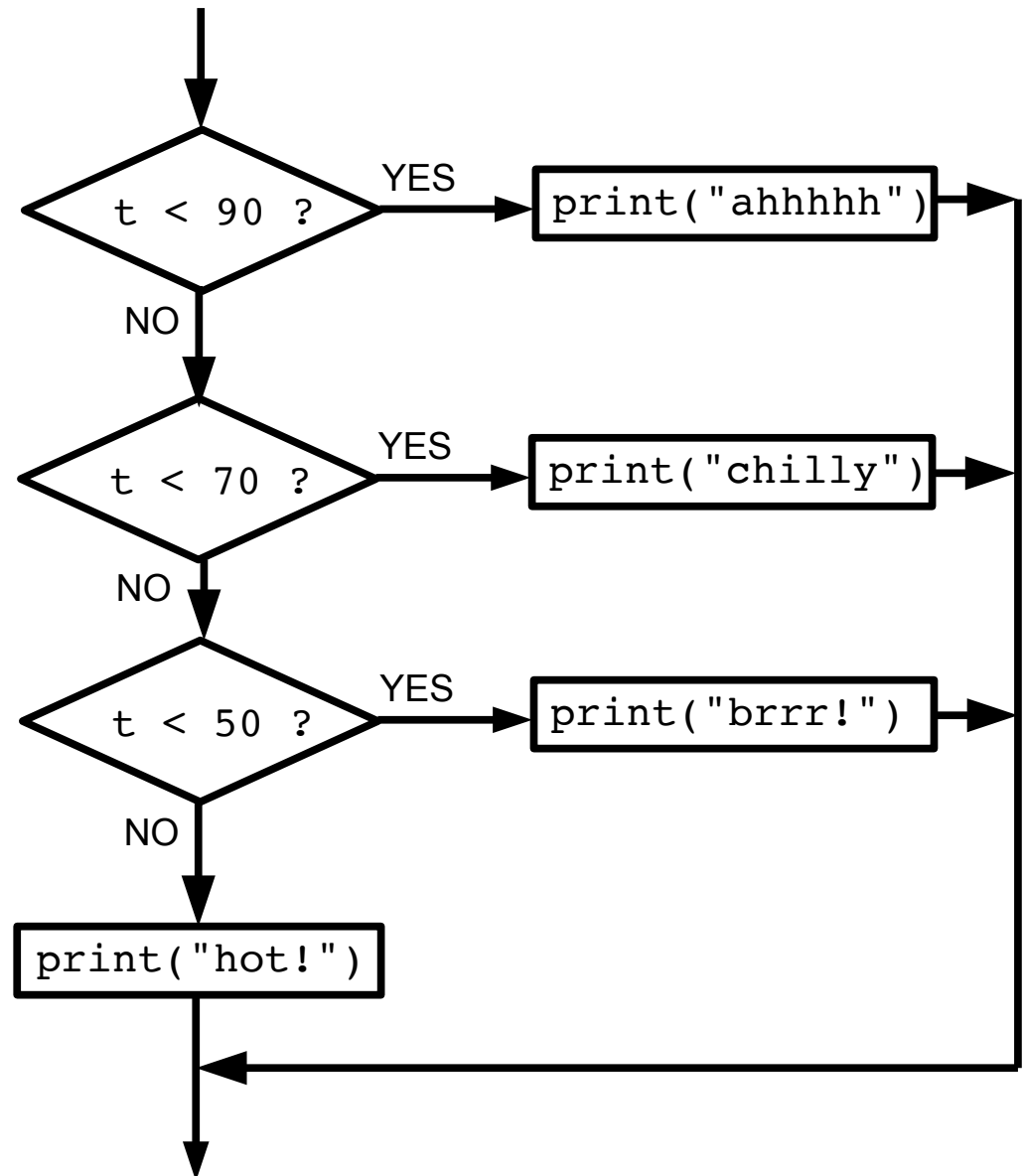
```
def temp2(t):  
    if t < 90:  
        print("ahhhhh")  
    elif t < 70:  
        print("chilly")  
    elif t < 50:  
        print("brrr!")  
    else:  
        print("hot!")
```

temp2(95) → ?

temp2(75) → ?

temp2(55) → ?

temp2(20) → ?



# What about this version?

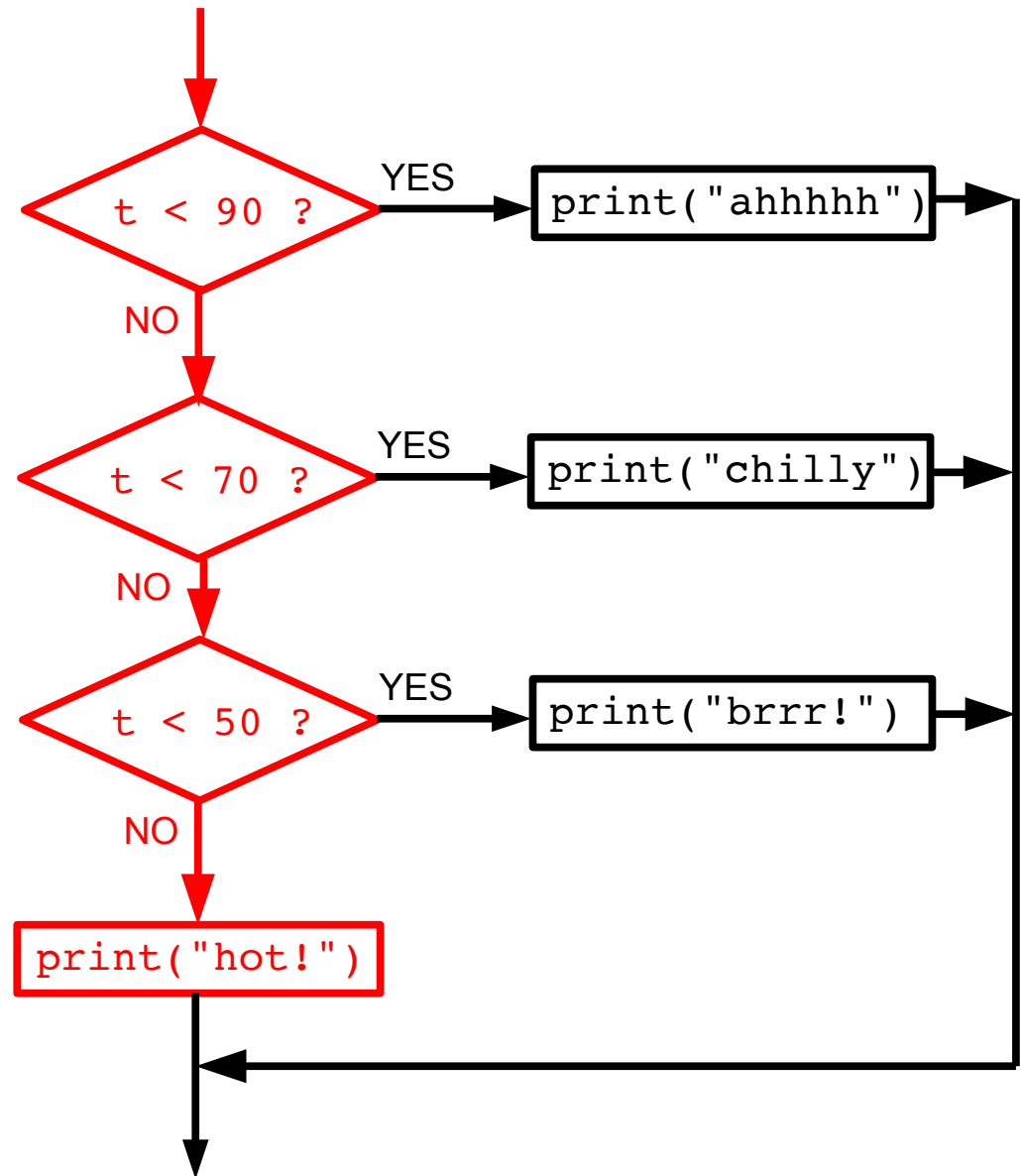
```
def temp2(t):  
    if t < 90:  
        print("ahhhhh")  
    elif t < 70:  
        print("chilly")  
    elif t < 50:  
        print("brrr!")  
    else:  
        print("hot!")
```

temp2(95) → **hot!**

temp2(75) → ?

temp2(55) → ?

temp2(20) → ?



# What about this version?

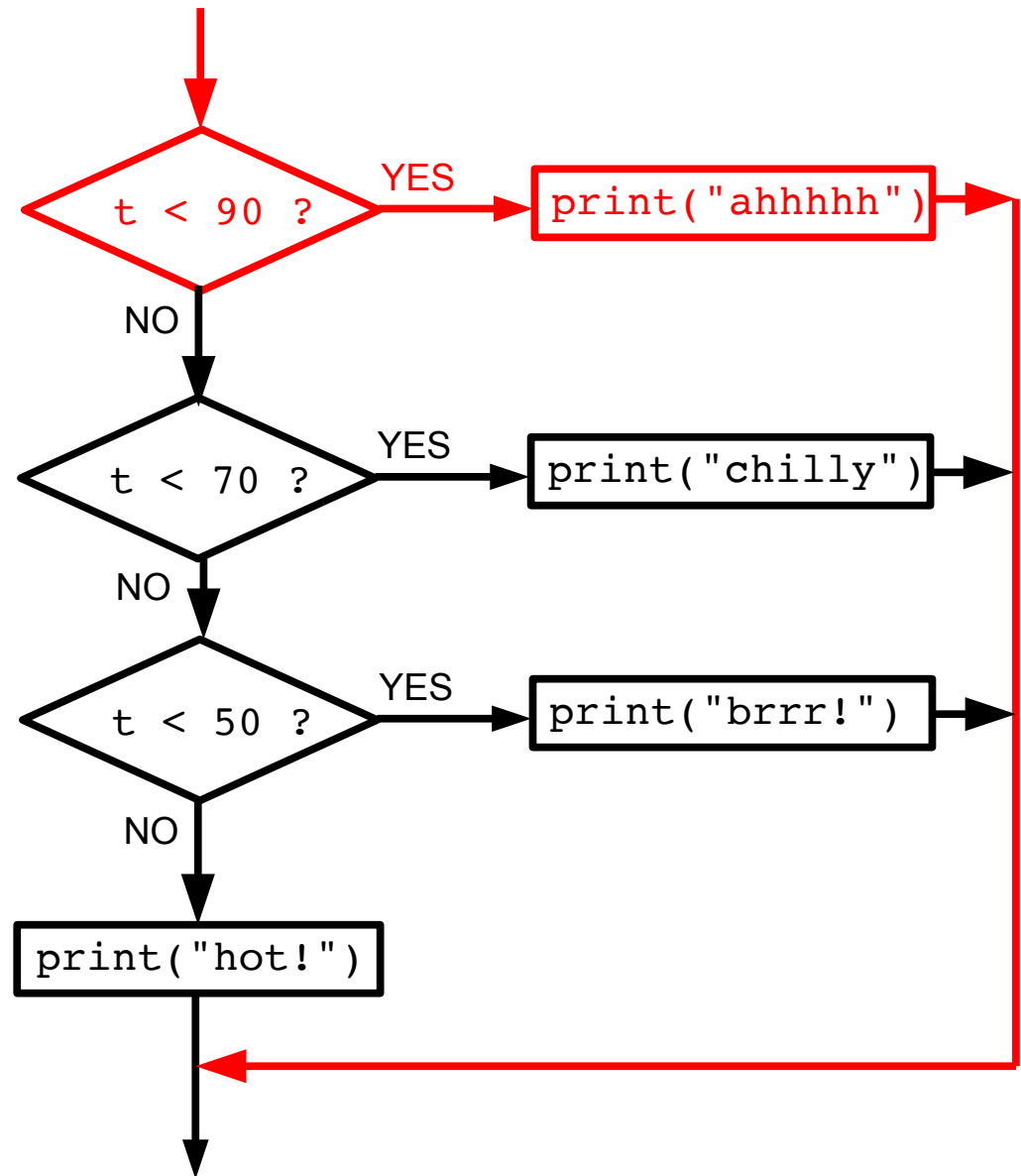
```
def temp2(t):  
    if t < 90:  
        print("ahhhhh")  
    elif t < 70:  
        print("chilly")  
    elif t < 50:  
        print("brrr!")  
    else:  
        print("hot!")
```

temp2(95) → hot!

temp2(75) → **ahhhhh**

temp2(55) → ?

temp2(20) → ?



# What about this version?

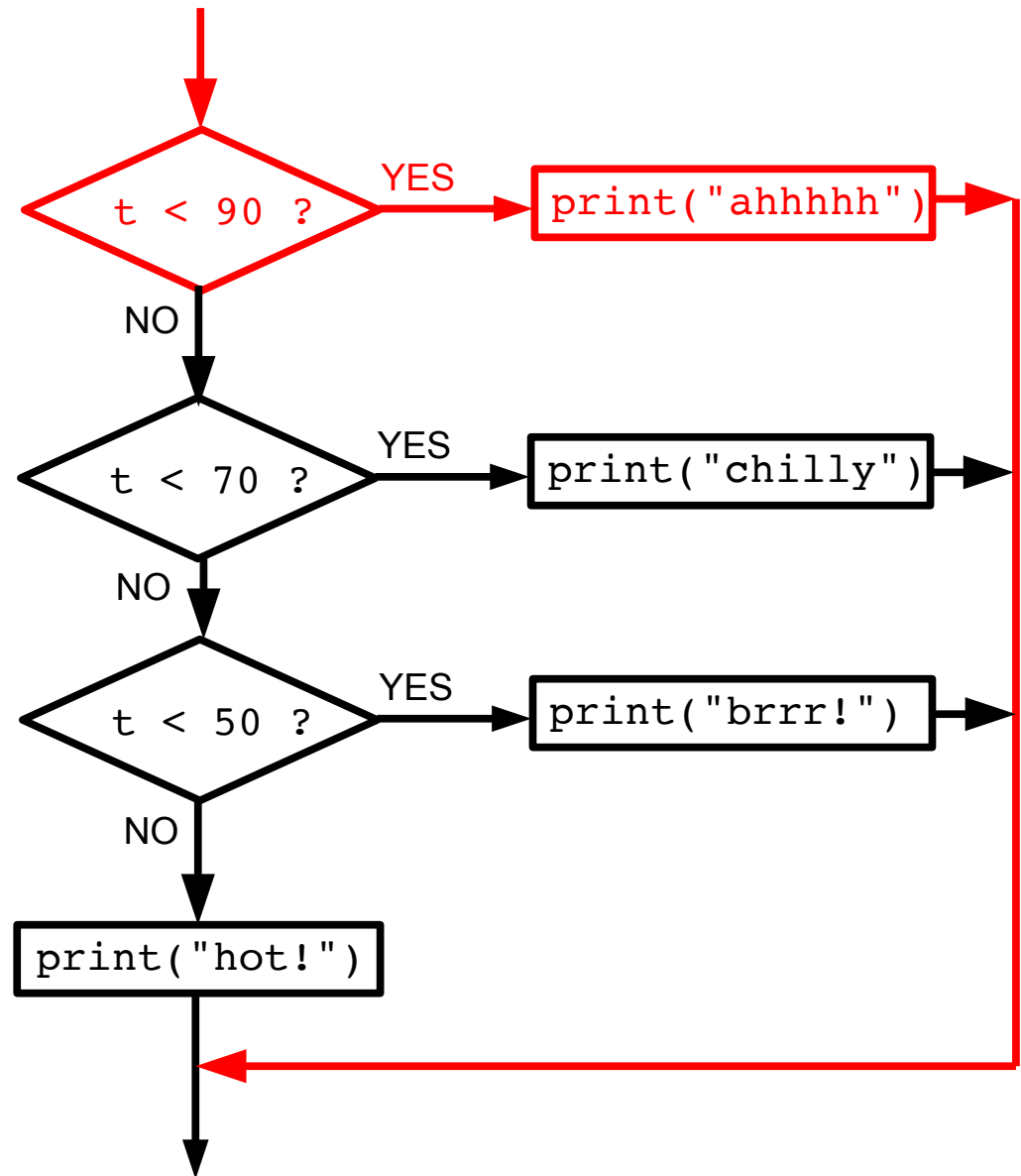
```
def temp2(t):  
    if t < 90:  
        print("ahhhhh")  
    elif t < 70:  
        print("chilly")  
    elif t < 50:  
        print("brrr!")  
    else:  
        print("hot!")
```

temp2(95) → hot!

temp2(75) → ahhhhh

temp2(55) → **ahhhhh**

temp2(20) → ?



# What about this version?

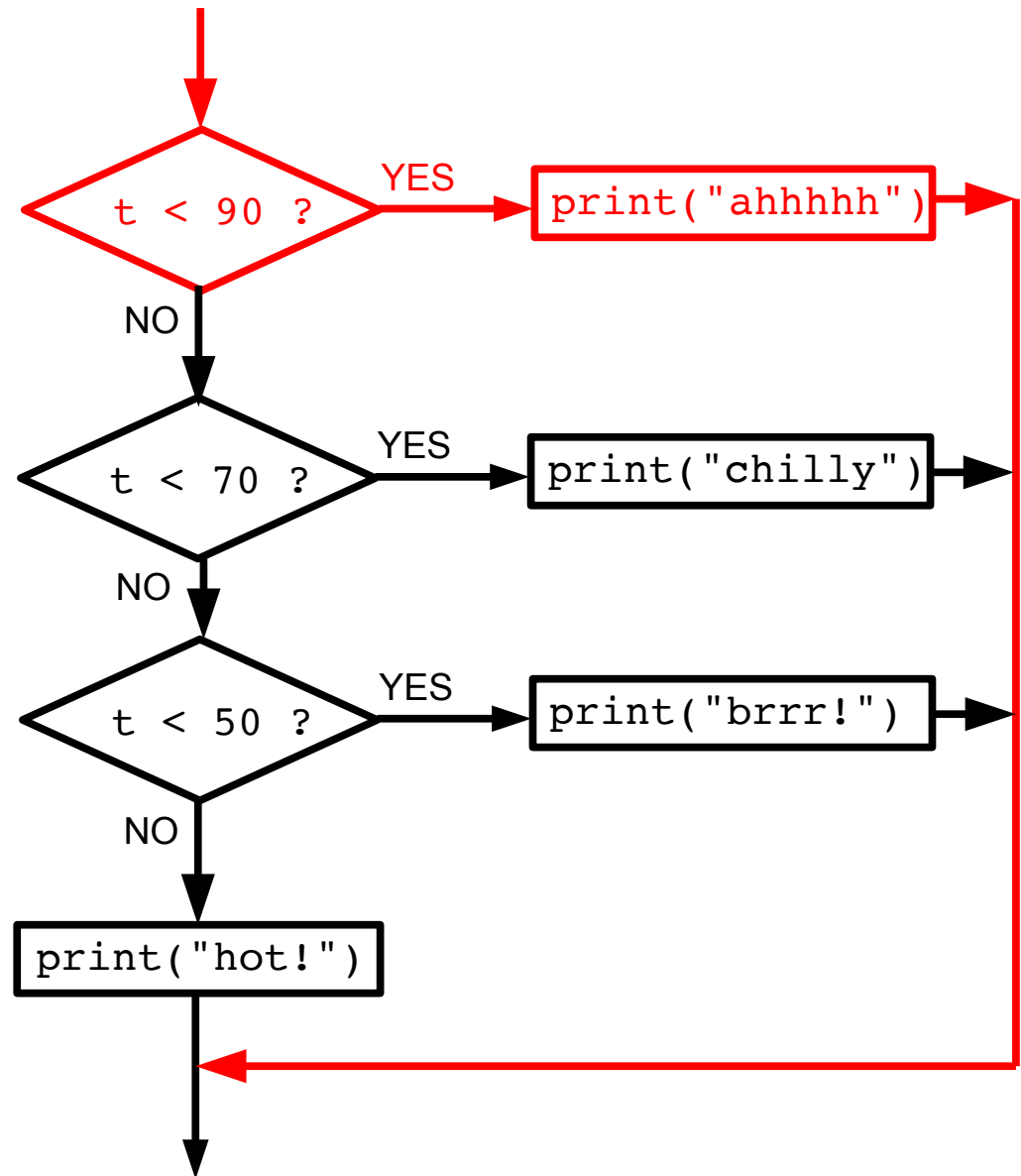
```
def temp2(t):  
    if t < 90:  
        print("ahhhhh")  
    elif t < 70:  
        print("chilly")  
    elif t < 50:  
        print("brrr!")  
    else:  
        print("hot!")
```

temp2(95) → hot!

temp2(75) → ahhhhh

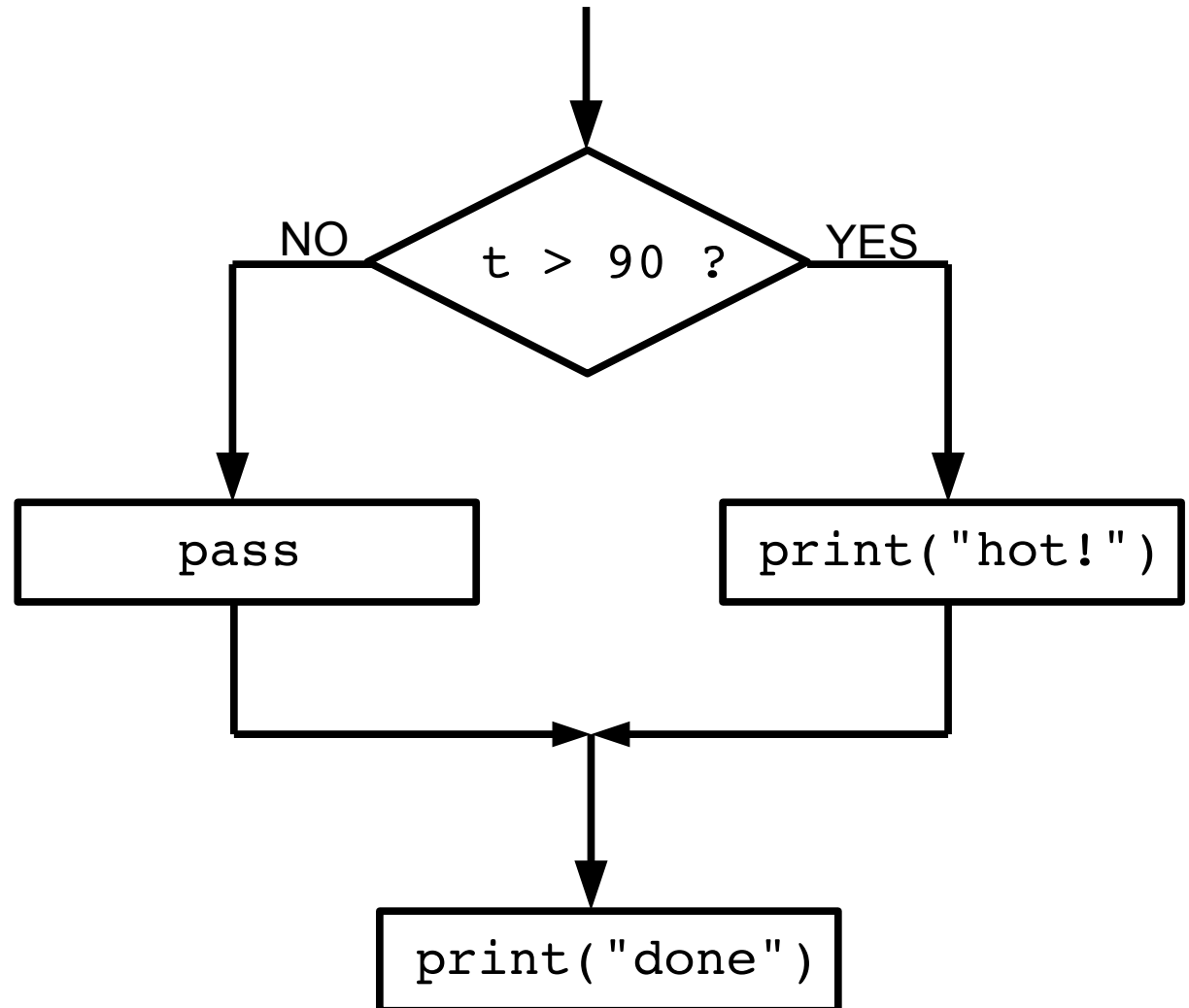
temp2(55) → ahhhhh

temp2(20) → **ahhhhh**



# “one-armed” if

```
def temp3(t):  
    if t > 90:  
        print("hot!")  
    else:  
        pass  
    print("done")
```



# “one-armed” if

```
def temp3(t):  
    if t > 90:  
        print("hot!")  
    print("done")
```

